

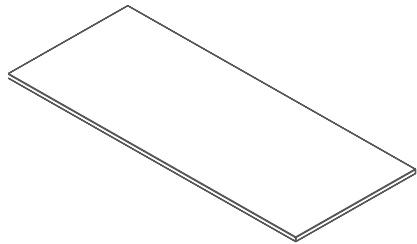
---

## Flare 4 Leg Bar Leaner

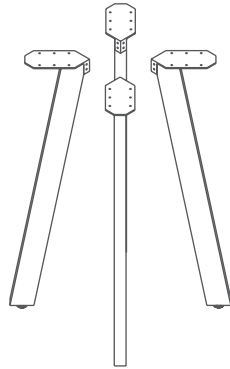
Assembly Instructions

# Flare 4 Leg Bar Leaner

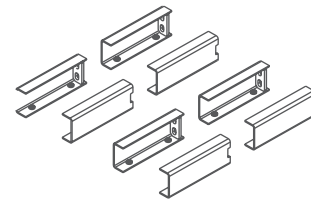
## Components List



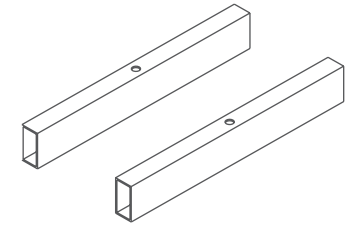
Axis Worktop



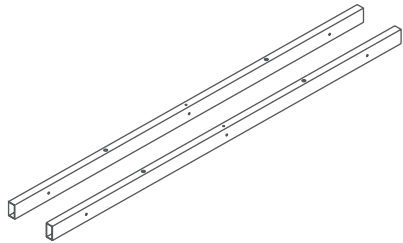
EL 4 x Flare End Legs  
80° Angle



B 4 x Pair AXKDSPIGE



R1 2 x Short Rails



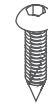
R2 2 x Long Rails



16 - M6 x 20



18 - M8 x 16



24 - ST5 x 23

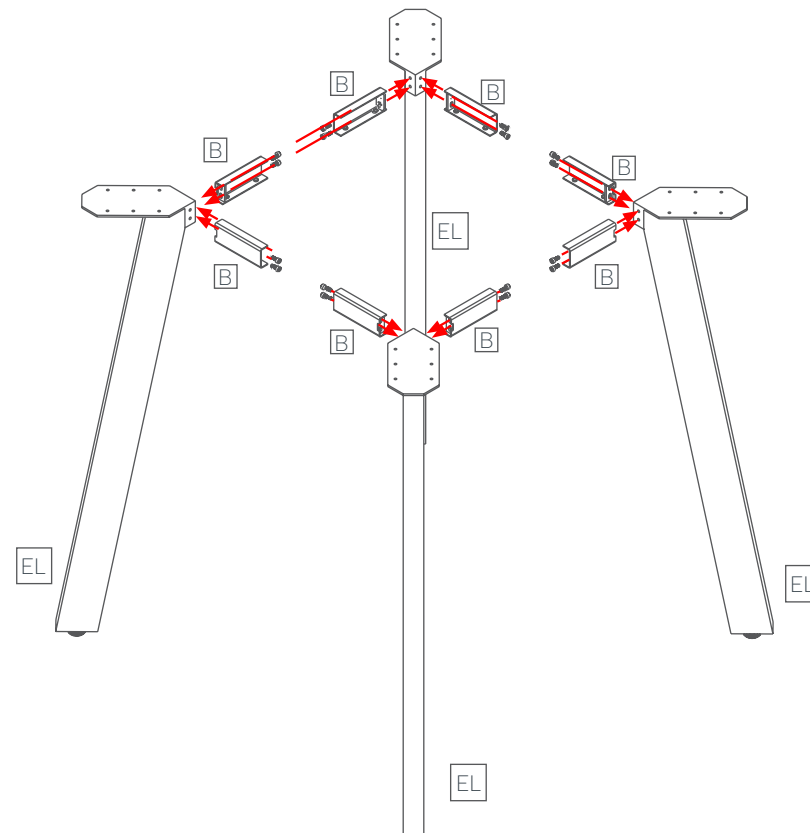
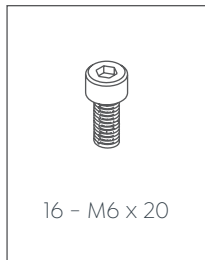


6 - ST5 x 70

# Flare 4 Leg Bar Leaner

Assembly Instructions

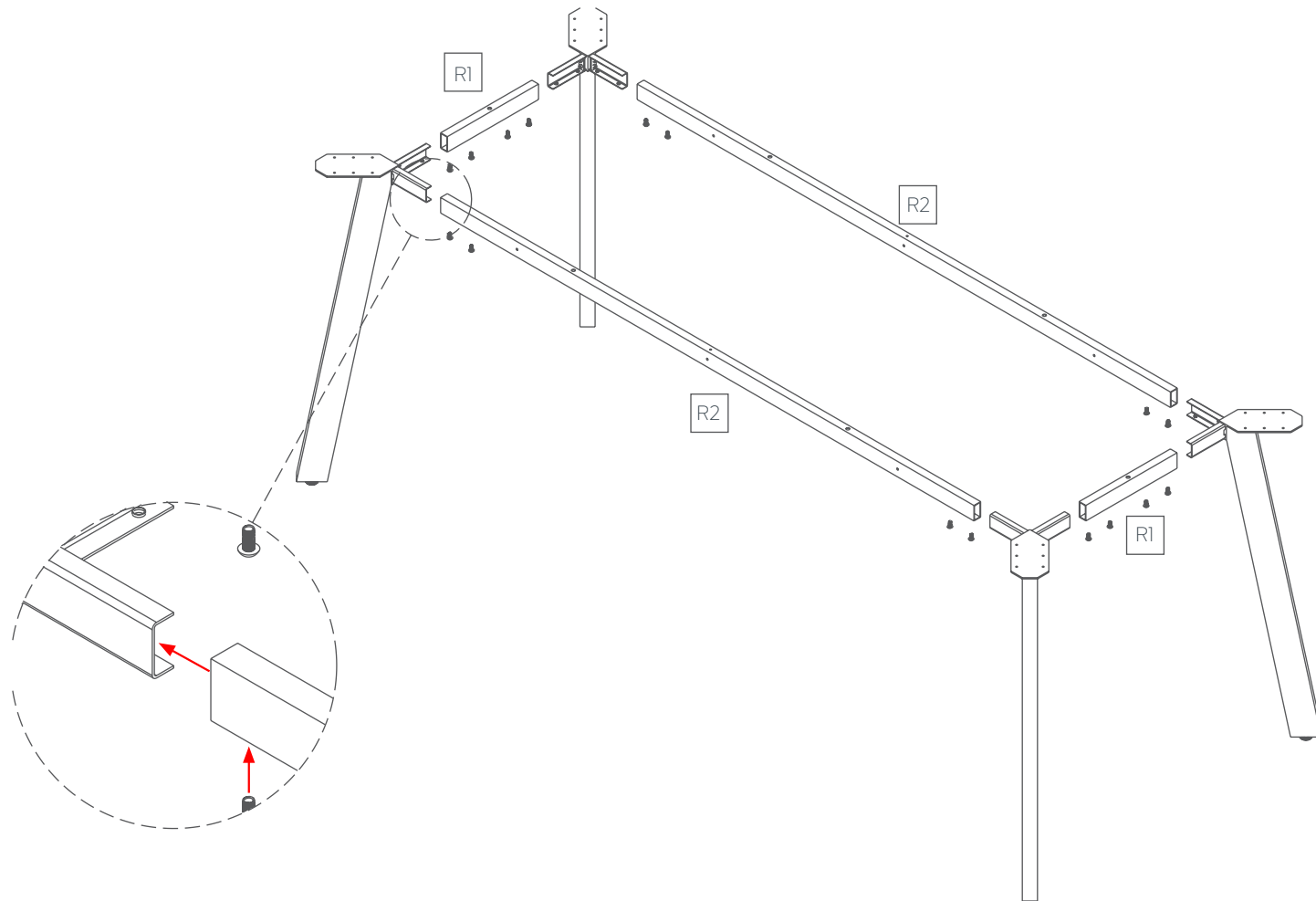
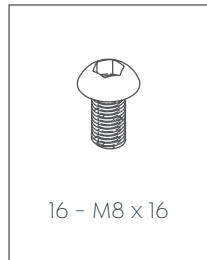
## STEP 1:



# Flare 4 Leg Bar Leaner

## Assembly Instructions

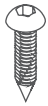
### STEP 2:



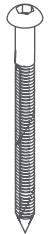
# Flare 4 Leg Bar Leaner

Assembly Instructions

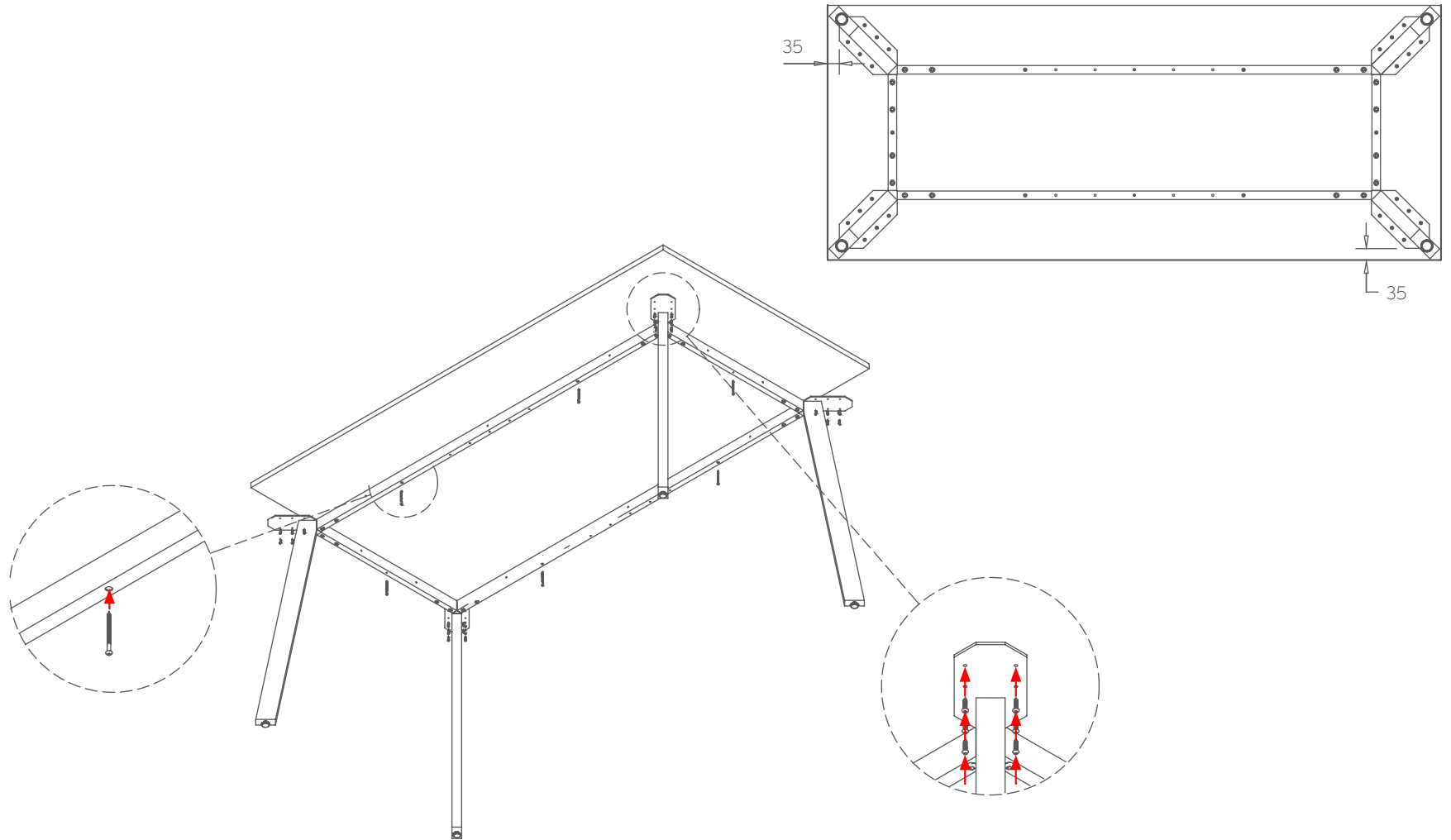
## STEP 3:



24 - ST5 x 23



6 - ST5 x 70



# Flare 4 Leg Bar Leaner

Assembly Instructions

---

**Complete:**

